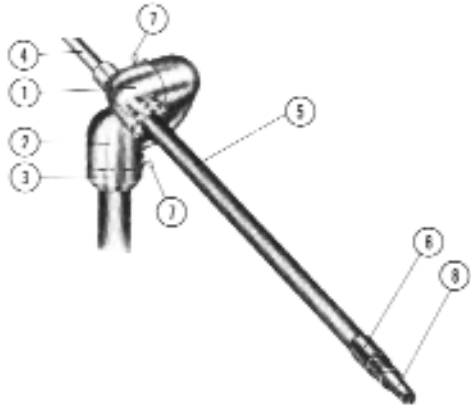


# Retsco/Demco Mud Guns



## PIVOT TYPE

### ASSEMBLY PART NUMBER

BASE PART NO. \_\_\_\_\_

ORIFICE SIZE: 04-1/4", 06-3/8", 08 1/2", 10-5/8" x, 12-3/4"

GUN: 0628 - 0 X X  
NIPPLE: 0156 - 2 X X

x 5/8" is normal orifice size.

The RETSCO Pivot Type Mud Gun is provided with a 2" line pipe threaded inlet connection. It is spinproof by alignment of inlet and discharge openings in the same plane. The two swivel joints may be locked in set positions by a lock screw in each.

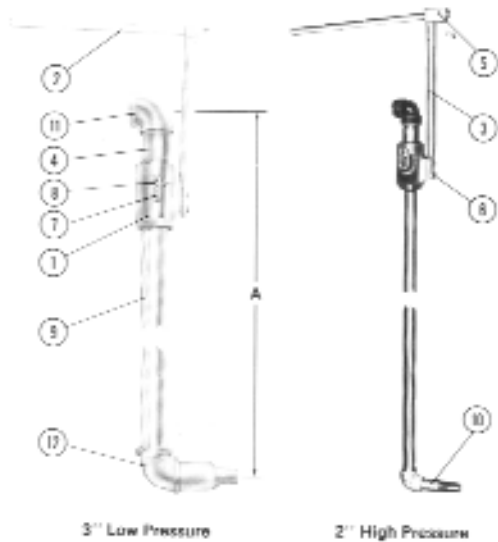
The swivels and piping are designed to withstand 3000 psi minimum burst pressure in the event of nozzle blockage. However, the swivel balls and races may be damaged after exposure.

With the standard 5/8" choke nipple, 200 gallons per minute of mud will exert 150 psi maximum backpressure on the swivel. Recommended maximum test pressure of the gun is 200 psi.

Refer to Data Sheet E-560.

Part No.	Description	Part No.	Wt. Lbs.
1	Gun, Assembly	0628 0xx	51
2	Head	0629	10
3	Body	0630	12
4	Sub	0631	5
5	Handle	0632	7
6	Discharge Tube	0643-05812	11
7	Coupling	5213-125	2
8	Lock Screw	5715-28024	—
7	Choke Nipple	0156 2xx	3
8	Swivel Repair Kit (Includes Fluid Seal, Steel Balls and O Ring)	0637	—

## BOTTOM TYPE



RETSCO Bottom Type Mud Guns are designed for submerged service in steel pits. 2" High Pressure Guns are offered for 3000 and 6000 psi minimum burst pressure. 3" and 4" guns are for low pressure, high volume service, using centrifugal pumps. Recommended test pressure for all sizes is 275 psi.

Length "A" is specified by the user for particular tank depth.

Refer to Data Sheet E-570.

### ASSEMBLY PART NUMBER

BASE PART NO. \_\_\_\_\_

INCHES (Length A)

X X X X - X X X 0 0

(Assembly and Discharge Tube)

Description	Part No.	2" HIGH PRESSURE				3" LOW PRESSURE		4" LOW PRESSURE	
		3000 psi Min. Burst Pressure		6000 psi Min. Burst Pressure		275 psi Max. Test Pressure		275 psi Max. Test Pressure	
		Part No.	Wt., Lbs.	Part No.	Wt., Lbs.	Part No.	Wt., Lbs.	Part No.	Wt., Lbs.
Gun, Assy. Complete	—	0638-xxxx	58	9656-xxxx	81	0648-xxxx	102	0658-xxxx	206
Add for Lengths in excess of 6' per ft.	—	—	—	—	—	—	—	—	—
Swivel Sub-Assembly	1,7,8	0742	20	9557	26	0744	38	0745	47
Handle Sub-Assembly	2,3,5,6	0743	14½	0743	14½	0743	14½	0743	14½
Arm	2	0642	5	0642	5	0642	5	0642	5
Bracket	3	0641	9	0641	9	0641	9	0641	9
Riser	4	5221-0163208	4	5221-0164208	7	5221-0242208	4	0854	30
Lube Fitting	7	5196	—	5196	—	5195	—	5195	—
Lock Screw	8	5715-28024	—	5715-28024	—	5715-28024	—	5715-28024	—
Discharge Tube	9	0643-xxxx	11	9555-xxxx	22	0663-xxxx	21	0663-xxxx	113
Choke Nipple	10	0156-210	3	0156-210	3	5226-24122	2	—	—
Ell, Top	11	5217-165	3	5217-166	4½	5217-241	6	—	—
Ell, Bottom	12	5217-125	1½	5217-126	2½	5217-241	6	—	—
Swivel Repair Kit (Includes Fluid Seal, Steel Balls and O Ring)	—	14849	—	14849	—	0637	1½	0667	2